



water solutions

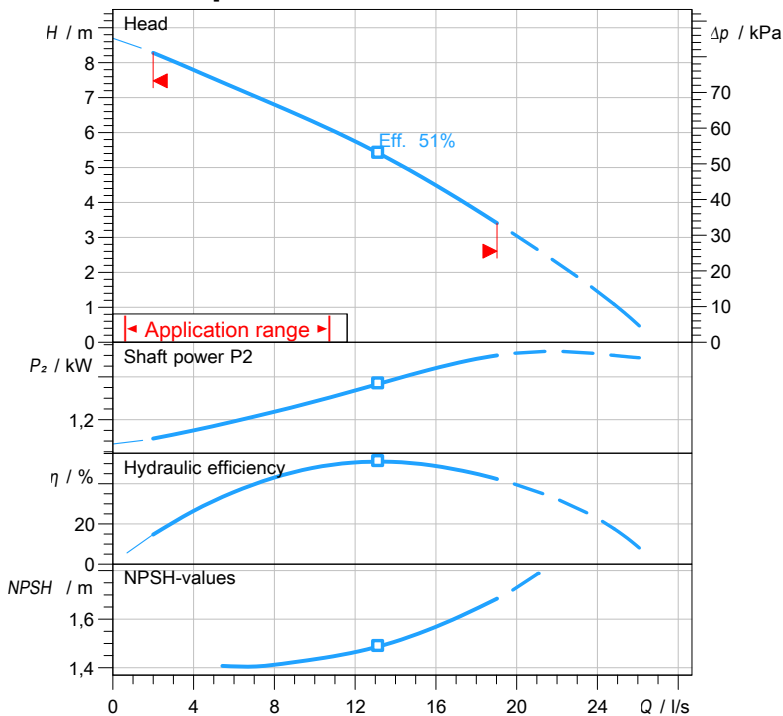
Data sheet

DRG 200/4/80 M0ET5

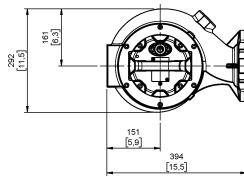
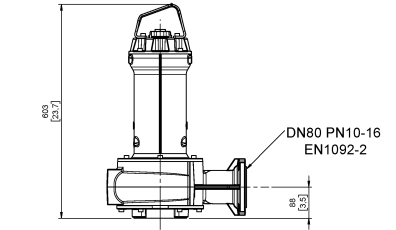

GREY
series

Technical specification

3~ 50 Hz



Characteristic curves according to UNI EN ISO 9906:2012
P2 < 10kW: paragraph 4.4.2
10kW < P2 < 100kW: Grade 3B
P2 > 100kW: Grade 2B



[mm (inch)]

Pump

| | |
|---------------|--|
| Series | GREY series |
| Pump name | DRG 200/4/80 M0ET5 |
| Configuration | NGT5B5104N00EX |
| Standard | ATEX 2014/34/EU |
| ATEX mark | II 2G Ex db IIB T4 Gb Ex h IIB T4 Gb |

Operating limits (standard pumps)

| | |
|---|------------------------|
| Max. ambient temperature | 40 °C |
| Max. density treated liquid | 1100 kg/m ³ |
| pH treated liquid | 6 ÷ 14 |
| Max. start per hour (equally distributed) | 30 |
| Wet/dry use | WET |
| Max. acoustic pressure level | 70 dB |
| Operating mode | S1 - Continuous use |

Motor data

| | |
|----------------------|-----------------|
| Rated voltage | 400 V |
| Frequency | 50 Hz |
| Motor phases | 3~ |
| Number of poles | 4 |
| Rated power P2 | 1,50 kW |
| Incoming power P1 | 1,84 kW |
| Rated current | 3,4 A |
| rpm | 1419 1/min |
| Efficiency | 81,3 % |
| cos φ | 0,784 |
| Rated torque | 10,1 Nm |
| Start | Direct starting |
| Starting current | 16,1 A |
| Degree of protection | IP 68 |
| Insulation class | H |
| Capacitor | |
| Starting Capacitor | |

Construction materials

| | |
|------------------|-------------------------------------|
| Case | Cast iron EN-GJL 250 |
| Shaft | Stainless steel AISI 431 |
| Hydraulic | Cast iron EN-GJL 250 |
| Impeller | Cast iron EN-GJL 250 |
| Painting/Coating | Bi-epoxy 200 μm sea water resistant |
| Screws | Stainless steel - Class A2-70 |
| Gaskets | NBR |

Construction features

| | |
|---------------------|---------------------------------------|
| Cooling system | No cooling jacket |
| Main cable | 4G1,5 + 3x1 |
| Cable length | 10 mt |
| Mechanical seals | 2 in silicon carbide (2SiC) |
| Additional drilling | - |
| Weight* | 55,2 kg |
| Electrical variant | Thermal protection and leakage sensor |

* cable, stand and guiding system excluded

Hydraulic

| | |
|---------------------------|-------------------------|
| Type | DR (Multi-channel open) |
| Free passage | 45 mm |
| Impeller type | Open channel impeller |
| Max. hydraulic efficiency | 51,0 % |
| Suction | DN 80 UNDRILLED |
| Discharge | DN 80 EN 1092-2 |



water solutions

Data sheet DRG 200/4/80 M0ET5

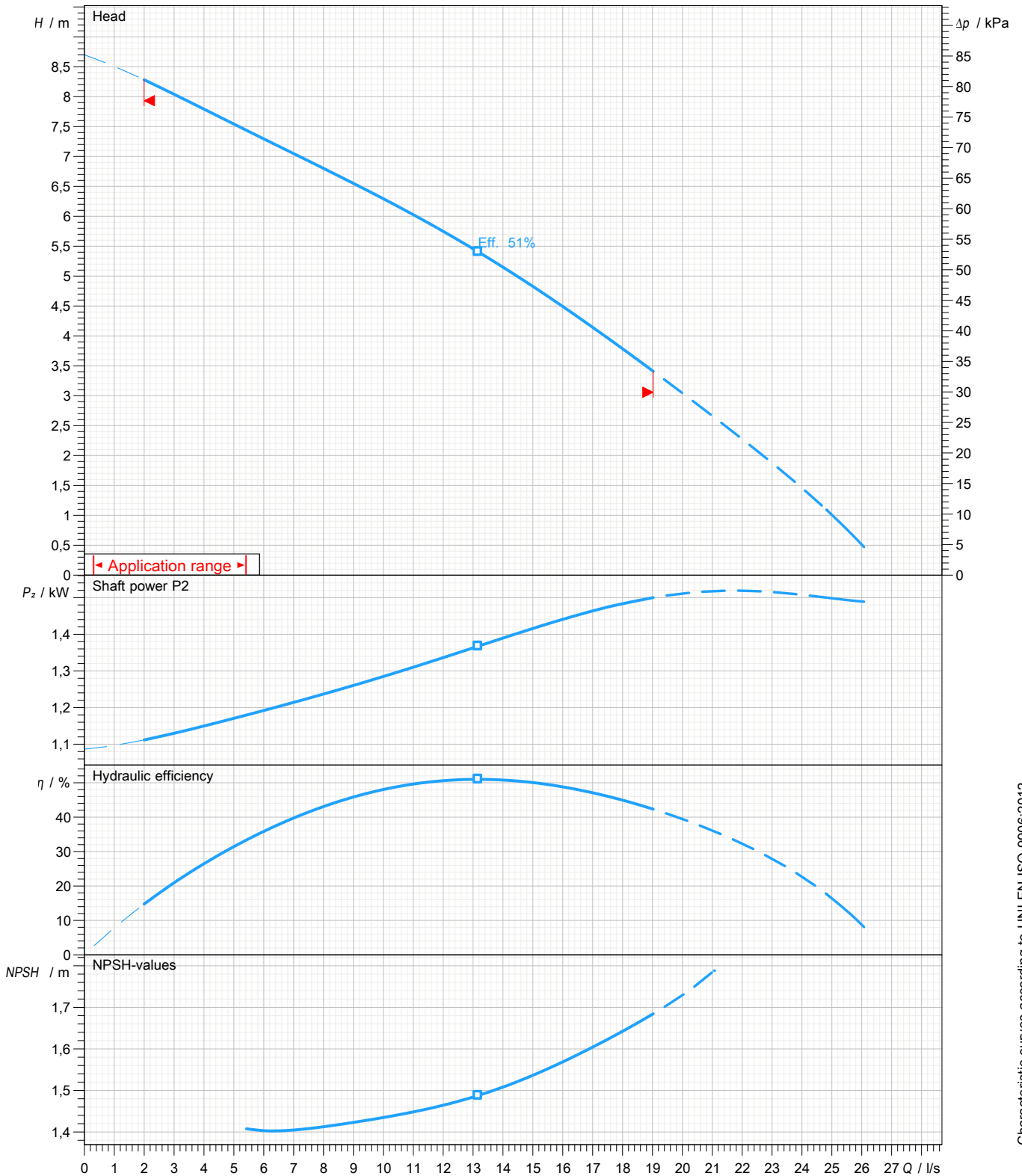


GREY
series

Pump performance curves

3~ 50 Hz

| | | | | | | |
|--|-------------|---|-----------------------------|---|--|-------------------------|
| Hydraulic type DR (Multi-channel open) | | Impeller type Open channel impeller | | Free passage 45 mm | Discharge DN 80 | Suction DN 80 |
| DUTY POINT | | | | | | |
| Flow | Head | Shaft power P2 | Hydraulic efficiency | Density 998,3 kg/m ³ | Viscosity 1,005 mm ² /s | |



Characteristic curves according to UNI EN ISO 9906:2012
P2<10kW: paragraph 4.4.2
10kW<P2<100kW: Grade 3B
P2>100kW: Grade 2B



water solutions

Data sheet DRG 200/4/80 M0ET5

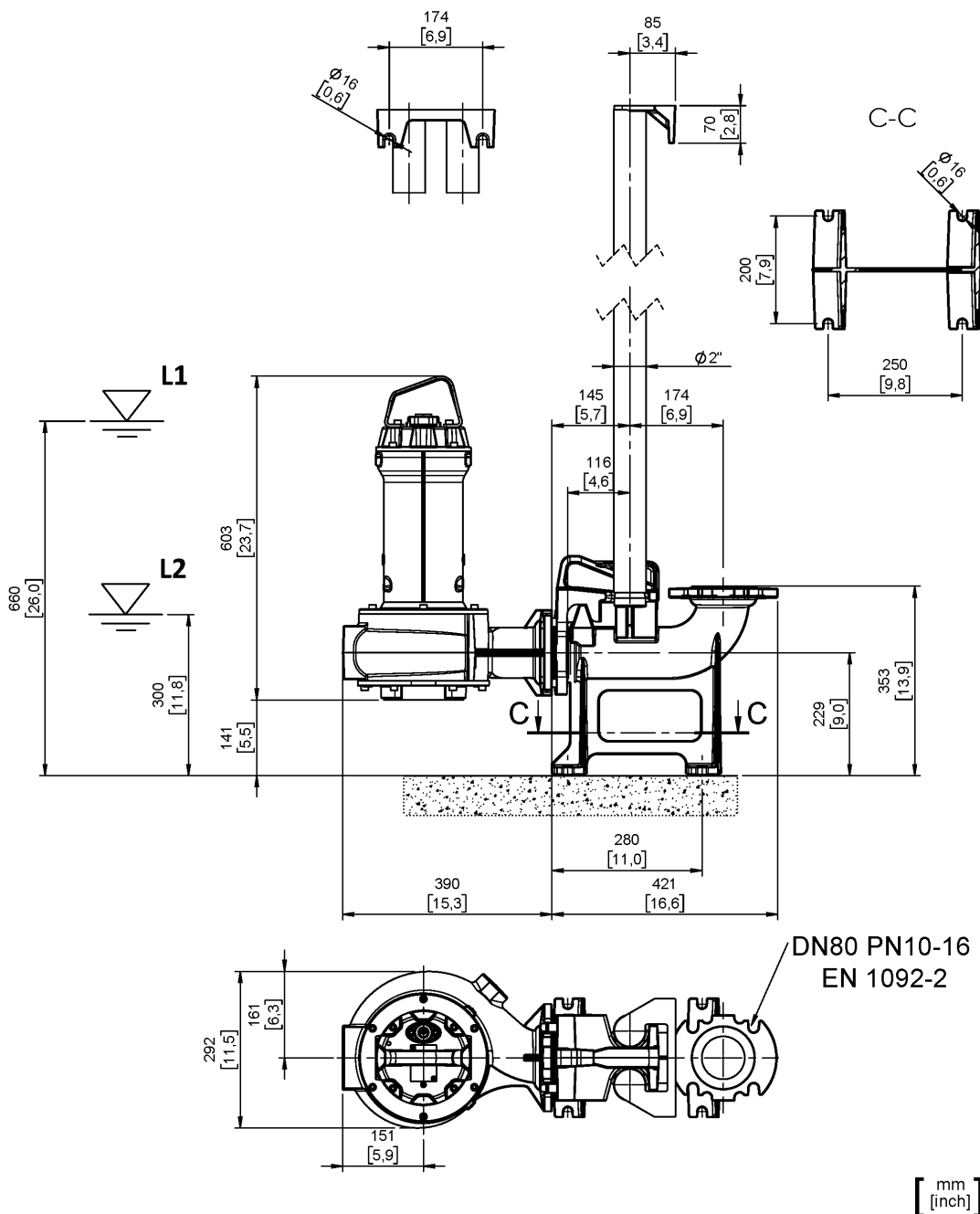


GREY
series

Dimensional drawing

3~ 50 Hz

| | | |
|--|-----------------------------------|---|
| Installation type Installation with bottom coupling device - Vertical outlet | | |
| Wet/dry use WET | Drilling variant N | Flushing valve - drilling - |
| Discharge DN 80 EN 1092-2 | Suction DN 80 UNDRILLED | Pressure rating (suction/discharge) -/PN 10 |
| Accessory DAC 80/80V+KAF 116-2" EN (P) | | Accessory code 9001.032 |
| Note: Accessory must be ordered separately | | |



L1: Minimum operating level for continuous use

L2: Minimum operating level for discontinuous use